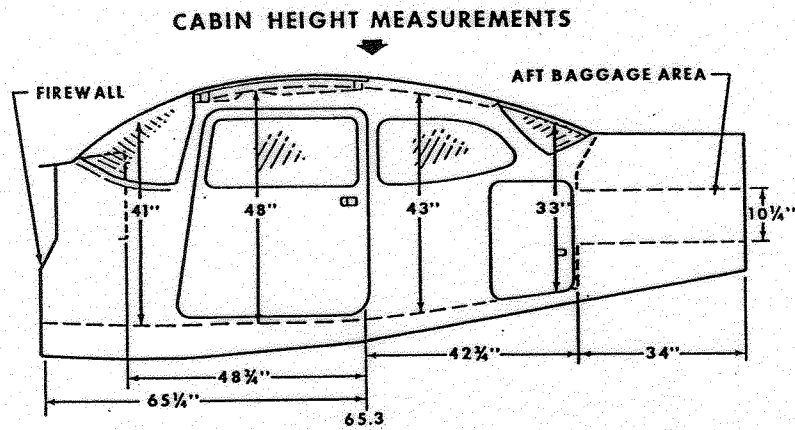


SECTION 6  
WEIGHT & BALANCE/  
EQUIPMENT LIST

CESSNA  
MODEL 172N



**DOOR OPENING DIMENSIONS**

	WIDTH (TOP)	WIDTH (BOTTOM)	HEIGHT (FRONT)	HEIGHT (REAR)
CABIN DOOR	32"	37"	40"	41"
BAGGAGE DOOR	15 1/4"	15 1/4"	22"	21"

— WIDTH —  
● LWR WINDOW LINE  
\* CABIN FLOOR

**CABIN WIDTH MEASUREMENTS**

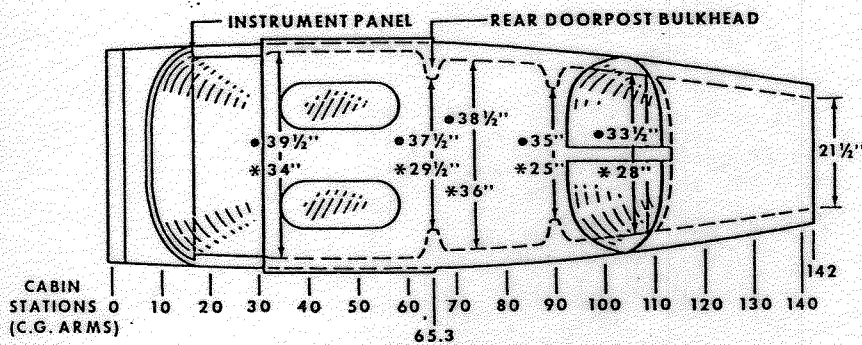


Figure 6-4. Internal Cabin Dimensions

CESSNA  
MODEL 172N

SECTION 6  
WEIGHT & BALANCE/  
EQUIPMENT LIST

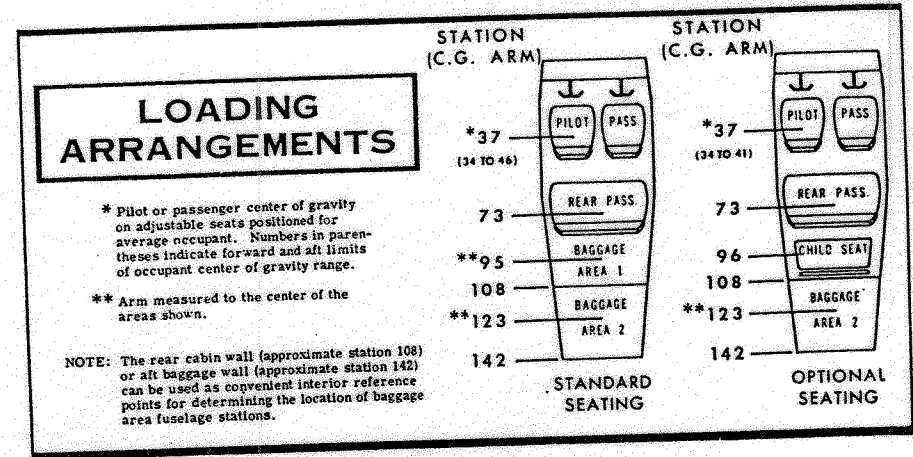


Figure 6-3. Loading Arrangements

MOT 2173

MINISTRY OF TRANSPORT - AIR TRANSPORT DIVISION

**WEIGHT AND BALANCE DATA** ZK- E0S  
A new sheet is to be completed whenever revised weight and balance data is established either by weighing or calculation.

Aircraft Make and Model	1495.9 lb
EMPTY WEIGHT (see Note 1)	39.96 in
C of G POSITION (state FW&A or Aft of Datum)	59789.5

MOMENT

Data established by ~~weighing~~/calculation\*

Performed by (state name and Licence/Approval No.)

D.R. Stewart CR 10132  
On (date)

Reason

Transponder fit  
Report Ref. (if applicable)

If established by calculation, state when aircraft last weighed

06/01/1989 (E0S89-P. Muller)

Notes:

1. Empty weight includes unusable fuel, fixed ballast, full operating fluids and items in the Equipment List over page.

2. \* = delete as appropriate.

**Fuel tanks C.G. is 46"**  
The fuel C.G. arm for standard and long range tanks is located at station 46".

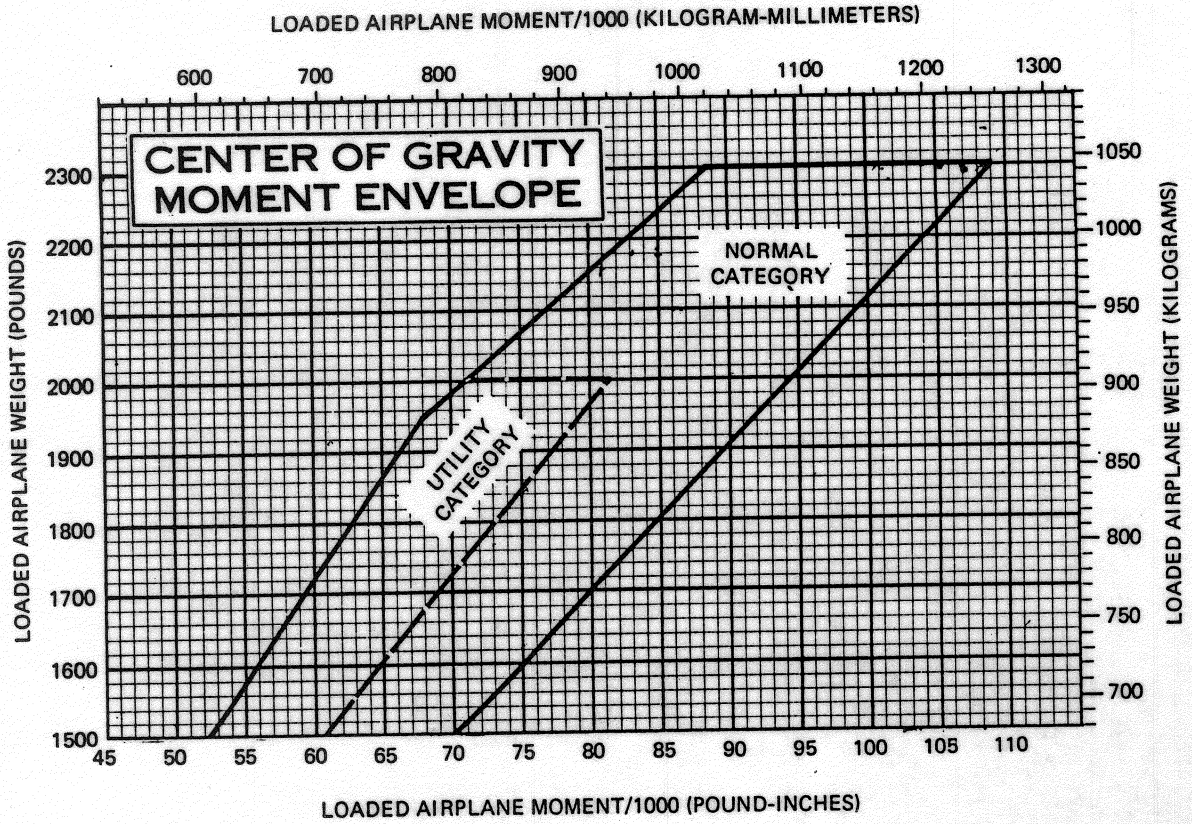


Figure 6-7. Center of Gravity Moment Envelope

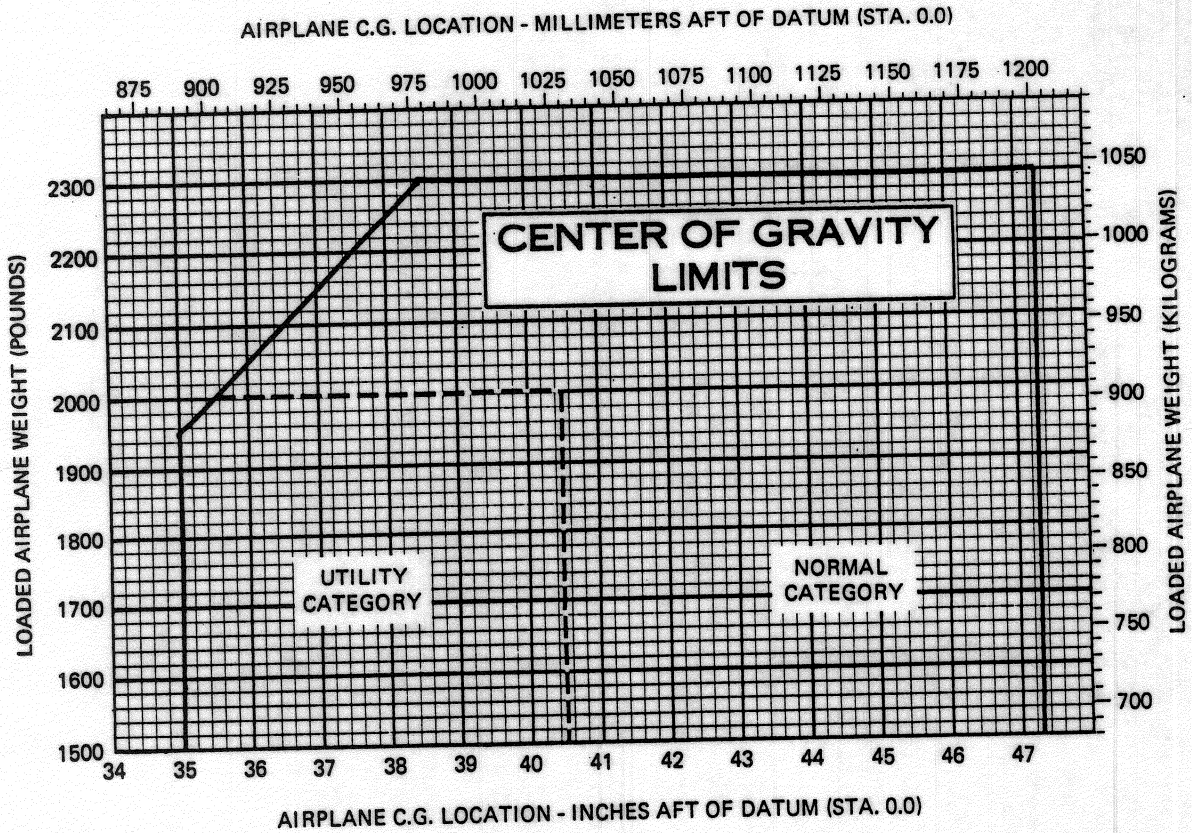


Figure 6-8. Center of Gravity Limits